

H-500 AUTO HINGE

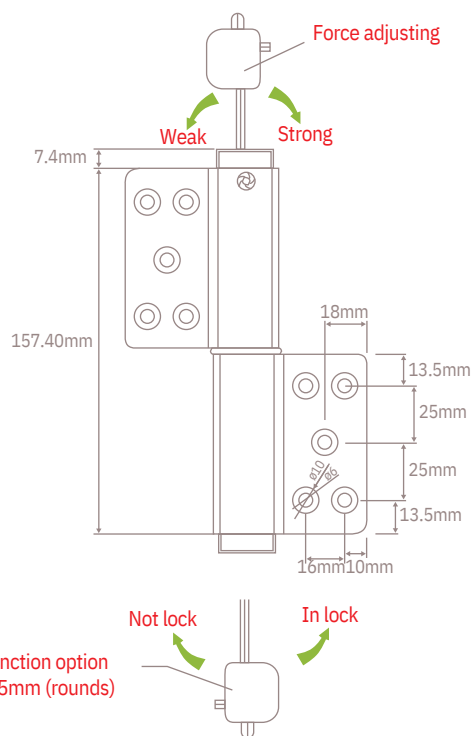
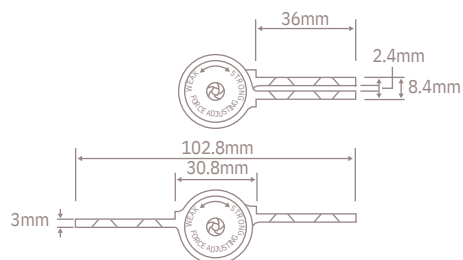
- > Space Aluminium
 - water & corrosion resistance
- > Hydraulic Hinge
 - withstand up to 30kg/pc
 - soft-open, soft-close
- > Adjustable Strength
 - easy adjust on closing and latching speed
- > Standstill at 90°
 - Hold-Open & Windproof





Function Description

- > The maximum opening angle is 180°
- > Door will automatically return to 150° if it is opened beyond that angle
- > Door can be stopped at any position between 125° and 80° using manual control
- > Door will auto-close when the angle is less than 80°
 - 180° - 30° fast closing - 30° - 15° Slow closing - 15° - 0° adjust between on lock or no lock



Hinge leaf 36mm

