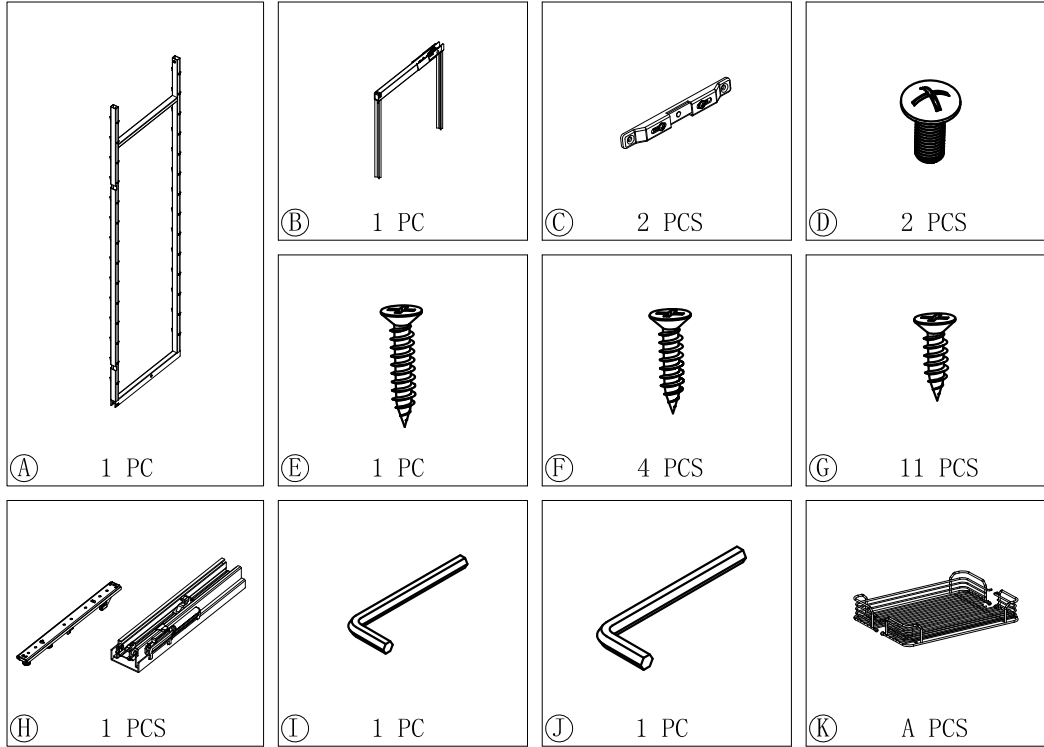
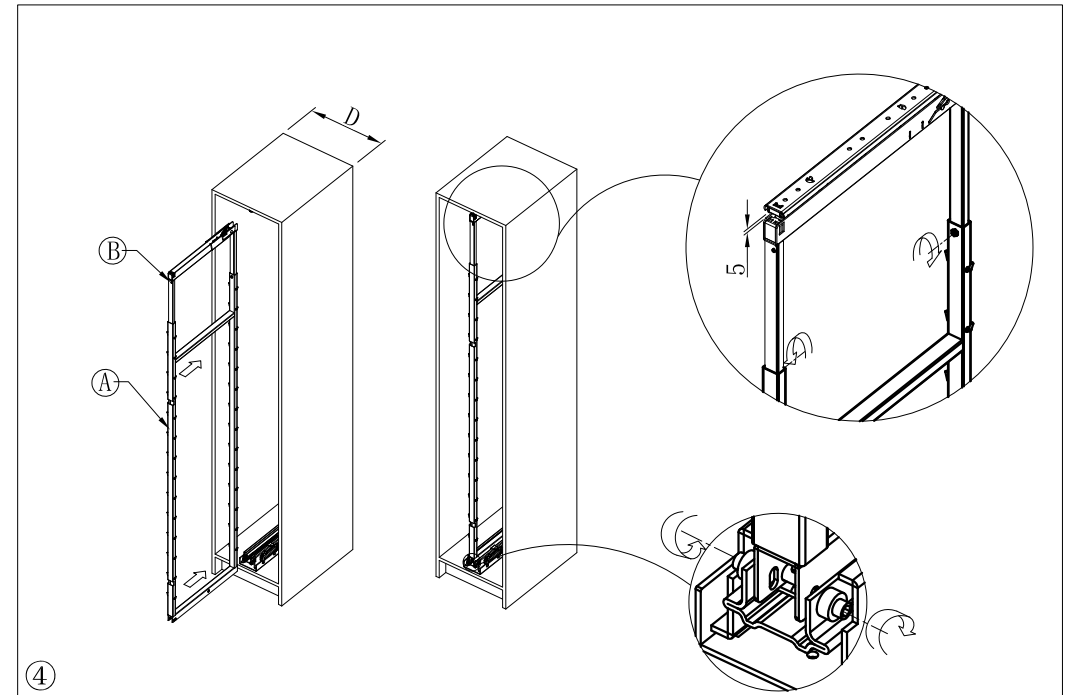
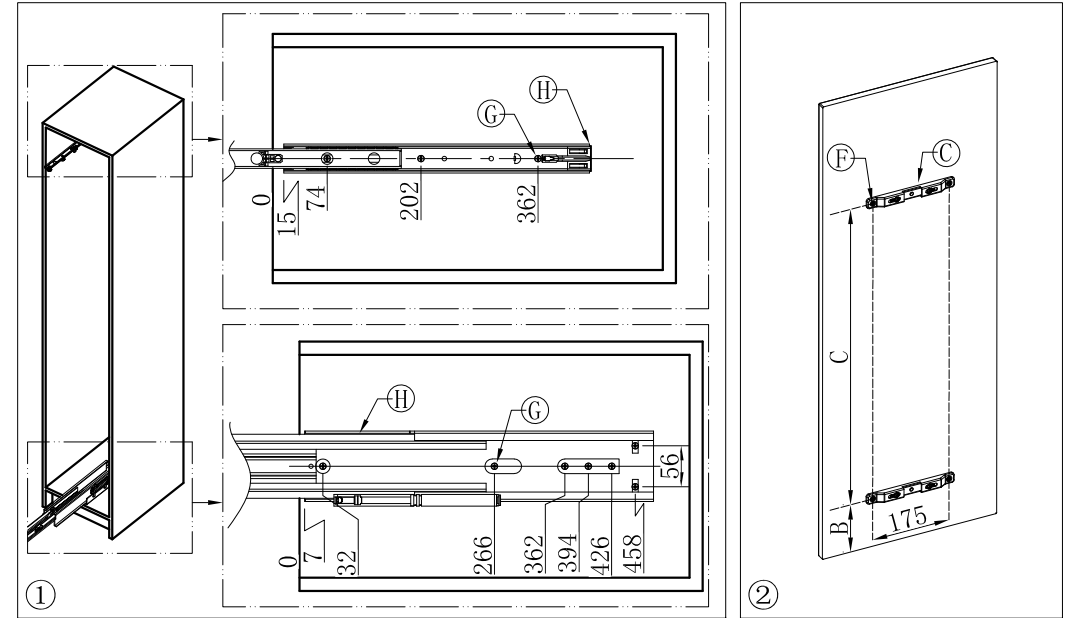


FIXING ILLUSTRATION

Accessories



Fixing step: ① → ② → ③ → ④ → ⑤ → ⑥ → ⑦



Item	Description	Specification	A	B	C	D
A841A	Tall larder pull-out (4-shelf)	D480*W250*H (1150-1350)	4	134	405	300
A841B	Tall larder pull-out (4-shelf)	D480*W350*H (1150-1350)	4	134	405	400
A851A	Tall larder pull-out (5-shelf)	D480*W250*H (1500-1800)	5	304	635	300
A851B	Tall larder pull-out (5-shelf)	D480*W350*H (1500-1800)	5	304	635	400
A861A1	Tall larder pull-out (6-shelf)	D480*W180*H (1700-2000)	6	304	865	250
A861A	Tall larder pull-out (6-shelf)	D480*W250*H (1700-2000)	6	304	865	300
A861B	Tall larder pull-out (6-shelf)	D480*W350*H (1700-2000)	6	304	865	400
A862A1	Tall larder pull-out (6-shelf)	D480*W180*H (1850-2200)	6	304	1035	250
A862A	Tall larder pull-out (6-shelf)	D480*W250*H (1850-2200)	6	304	1035	300
A862B	Tall larder pull-out (6-shelf)	D480*W350*H (1850-2200)	6	304	1035	400
A862C	Tall larder pull-out (6-shelf)	D480*W400*H (1850-2200)	6	304	1035	450

Unity: mm

FIXING ILLUSTRATION

