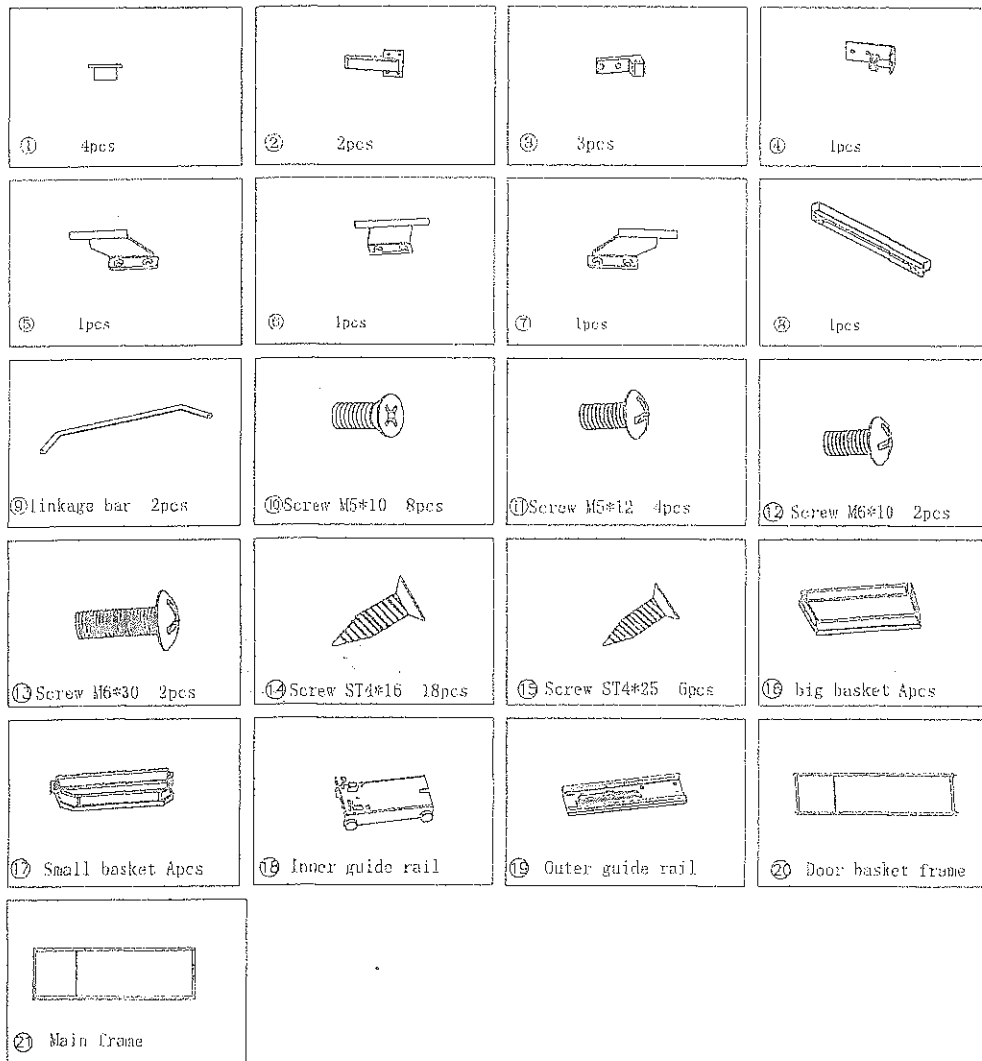


Fixing Instruction for A674M3 series of Pantry Basket

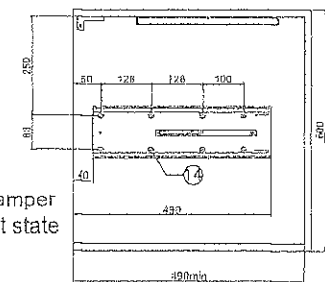
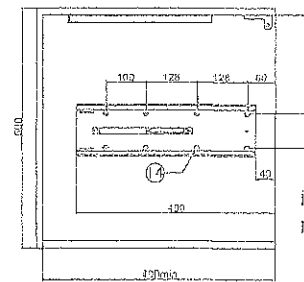
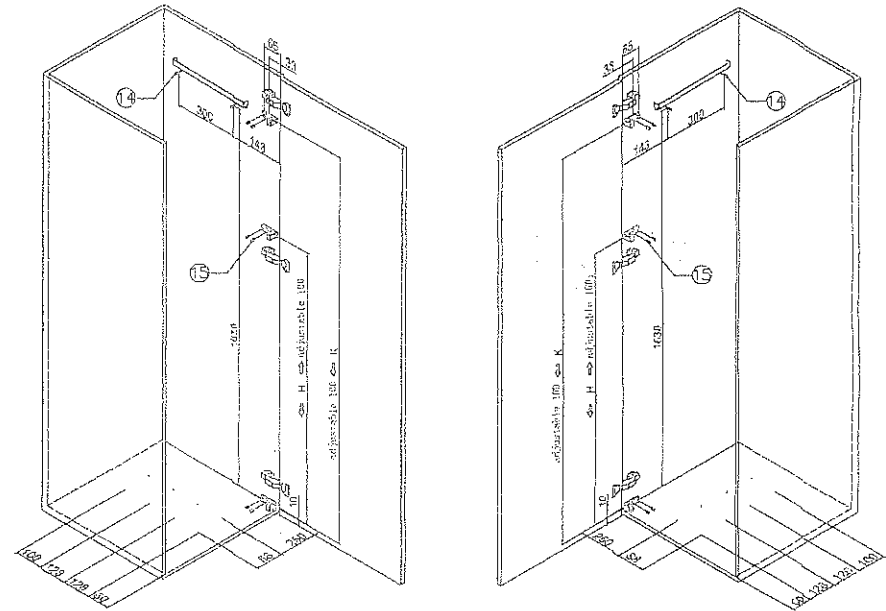
Name of Accessories:



Fixing Steps: 1 → 2 → 3

① Cabinet with right opening

Cabinet for left opening

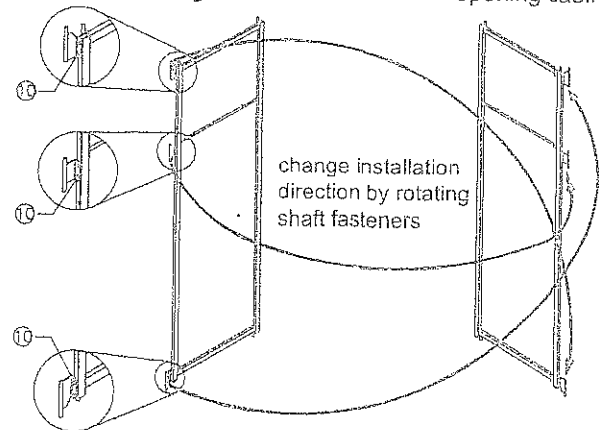
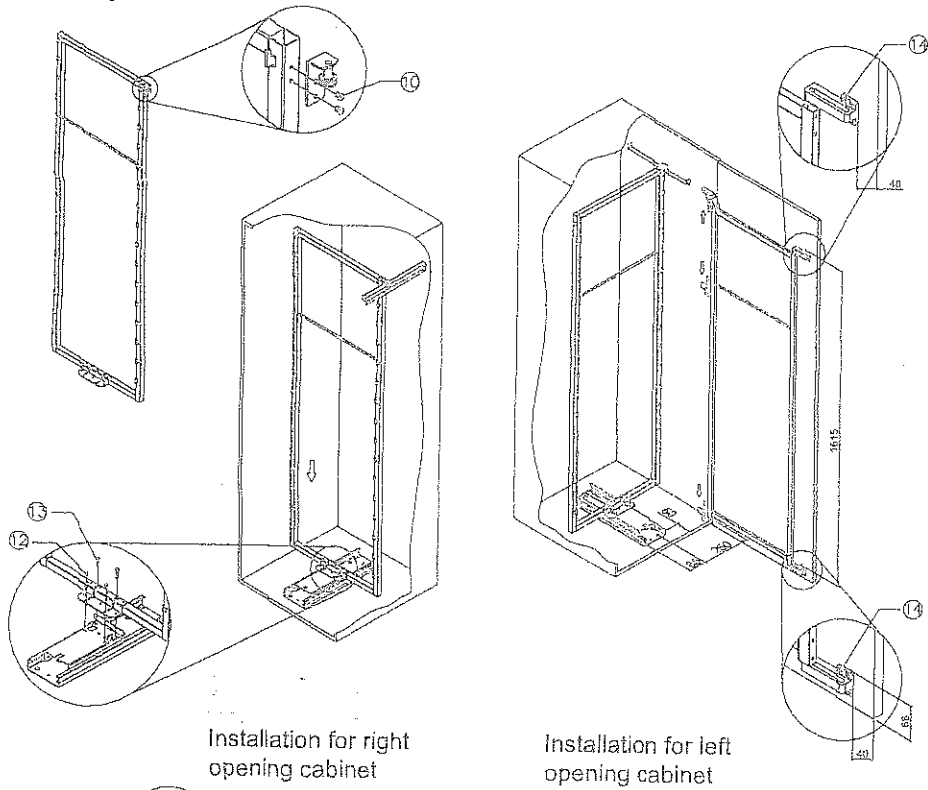


Note that the guide damper must be in the pull-out state

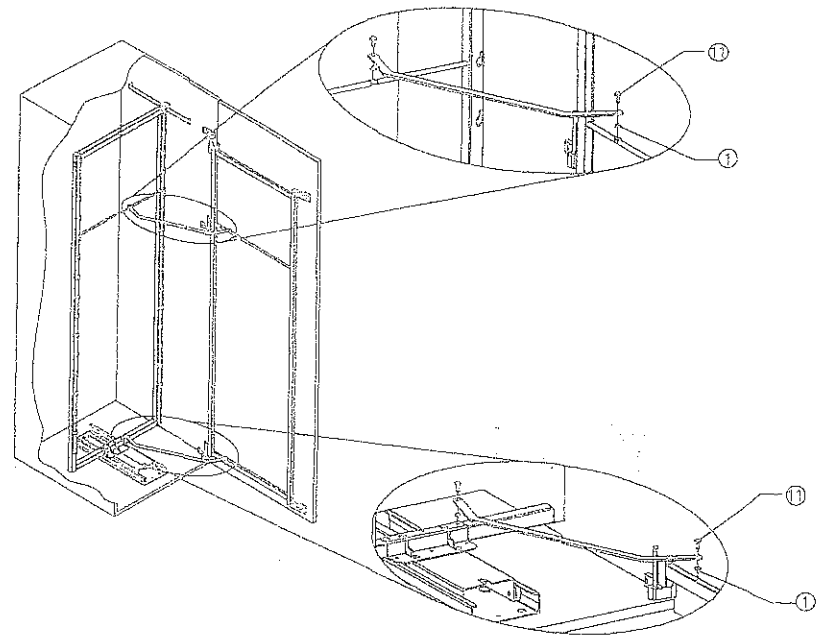
Item	Unit	Quantity
A674	mm	1860
A673	mm	1860
A672	mm	1860
A671	mm	1860

Item	Description	Specification (mm)	Cabinet width (mm)	Inside width of cabinet (mm)	A
A674	6-shelf pull out basket	D495*W554*H1680	600	564	5
A673	6-shelf pull out basket	D495*W554*H1480	600	564	6
A672	5-shelf pull out basket	D495*W554*H1280	600	564	5
A671	4-shelf pull out basket	D495*W554*H1080	600	564	4

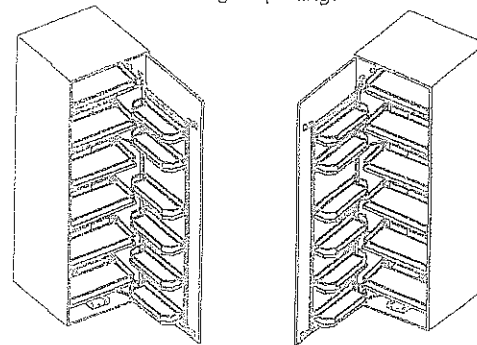
installation the main frame
on the guide rail



2



The figure shows the installation for
the right opening cabinet. The
installation for the left opening cabinet
is mirror symmetrical installation for
the right opening.



3