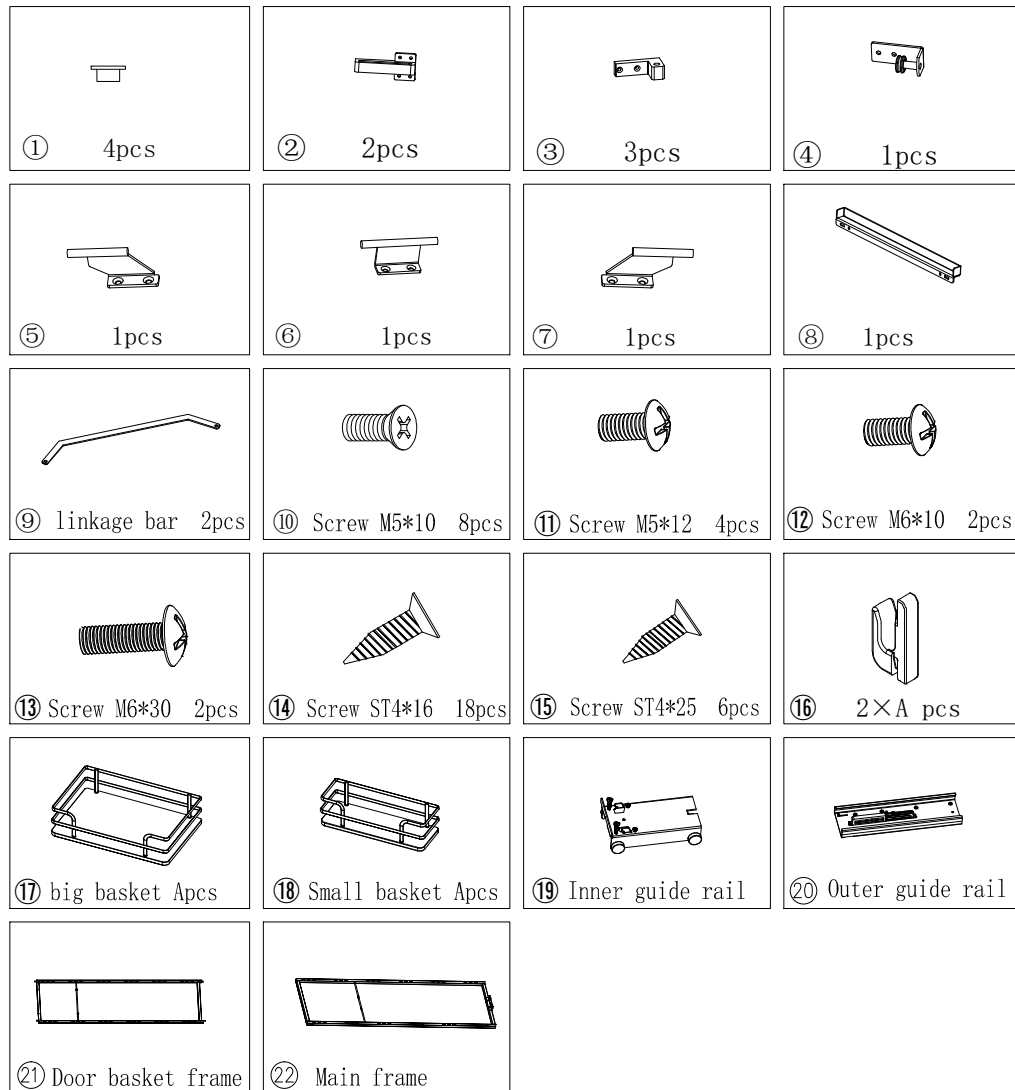


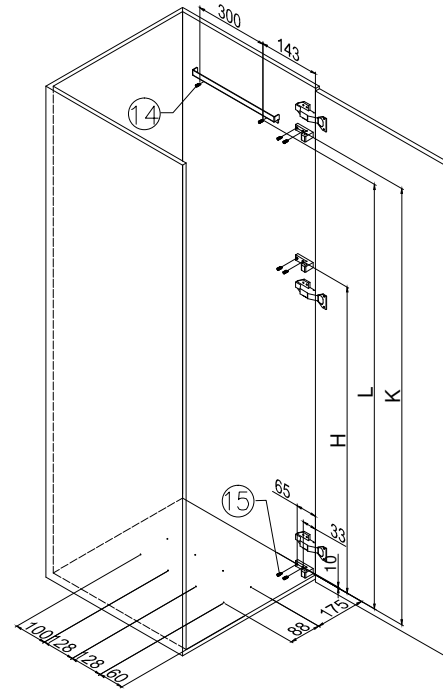
Fixing Instruction for A661M4series of Pantry Basket

Name of Accessories:

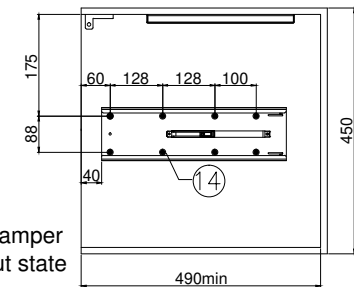
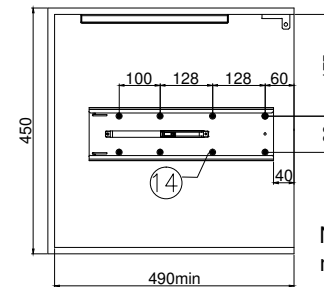
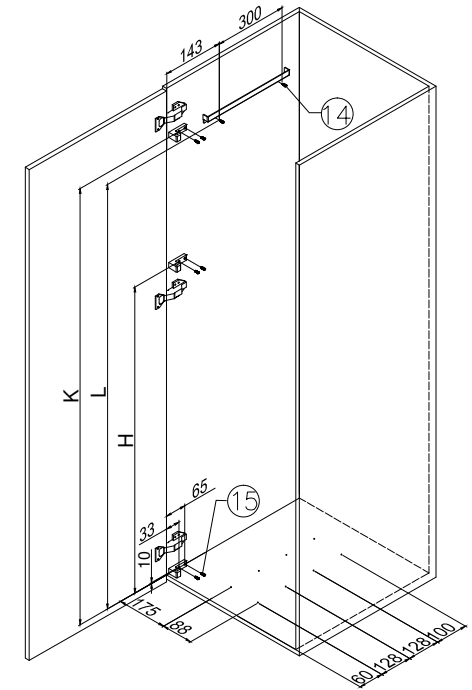


Fixing Steps: 1 → 2 → 3

① Cabinet with right opening



Cabinet for left opening

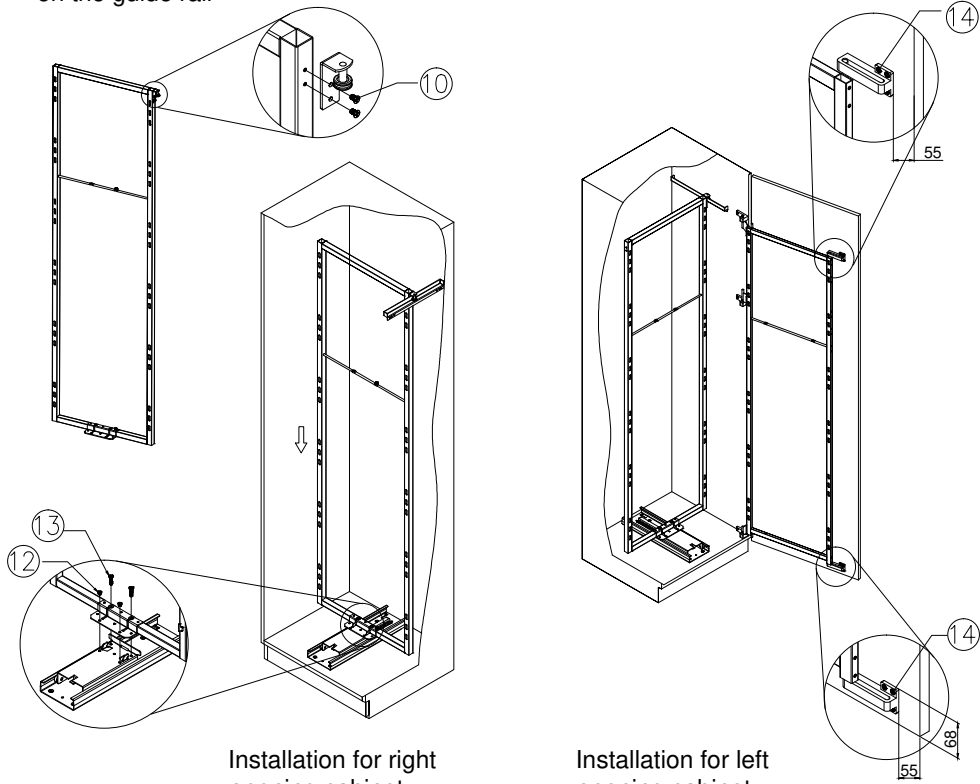


Note that the guide damper must be in the pull-out state

Item	H	K	L
A661M4	1365	1840	1805
A662M4	1165	1640	1605
A663M4	795	1270	1235

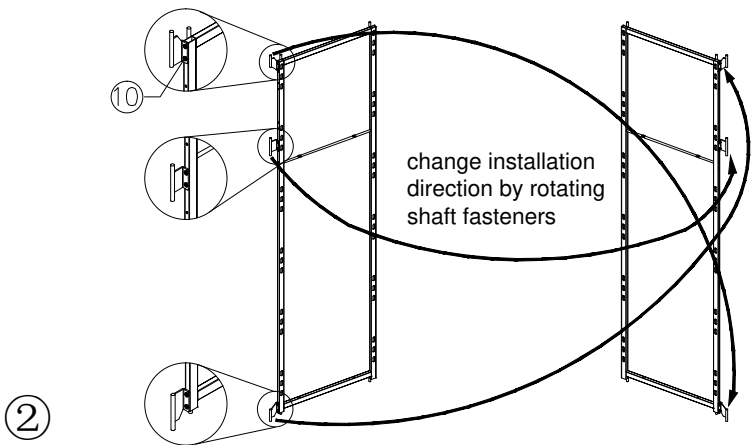
Item	Description	Specification (mm)	Cabinet width (mm)	Inside width of cabinet (mm)	A
A661M4	6-shelf pull out basket	D495*W404*H1850	450	414	6
A662M4	6-shelf pull out basket	D495*W404*H1650	450	414	6
A663M4	5-shelf pull out basket	D495*W404*H1280	450	414	5

installation the main frame
on the guide rail

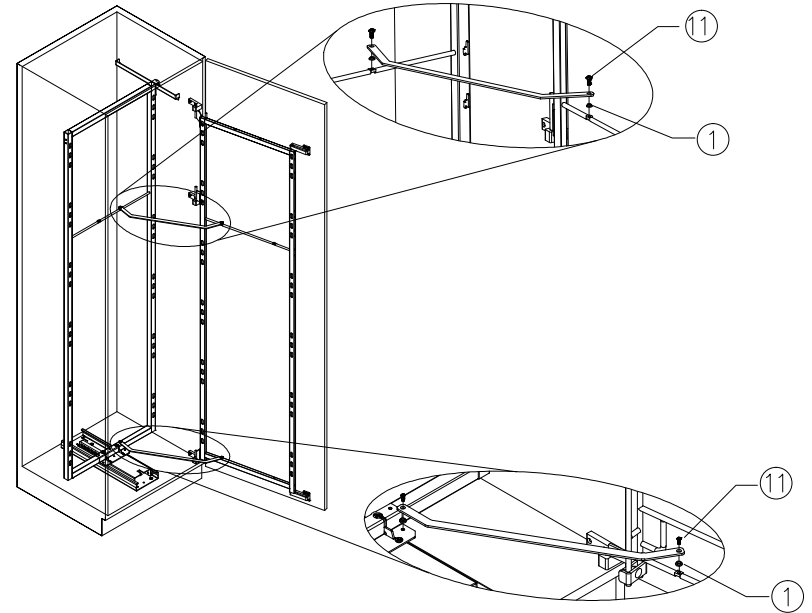


Installation for right
opening cabinet

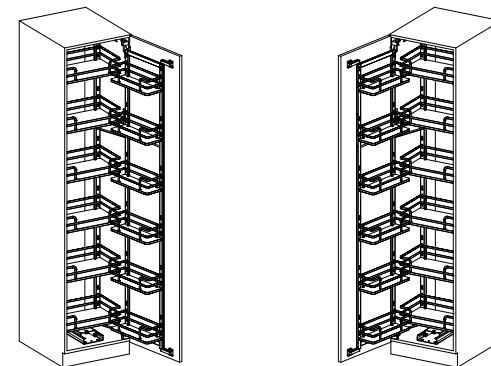
Installation for left
opening cabinet



change installation
direction by rotating
shaft fasteners



The figure shows the installation for
the right opening cabinet. The
installation for the left opening cabinet
is mirror symmetrical installation for
the right opening.



3