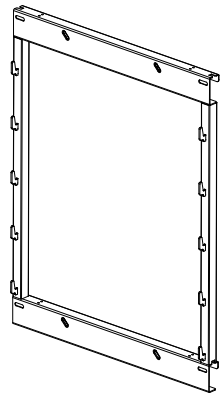
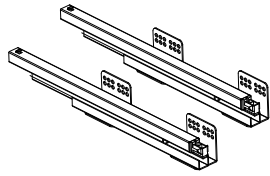


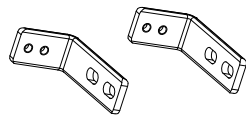
# Instruction Manual



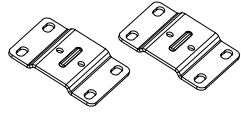
1、Frame



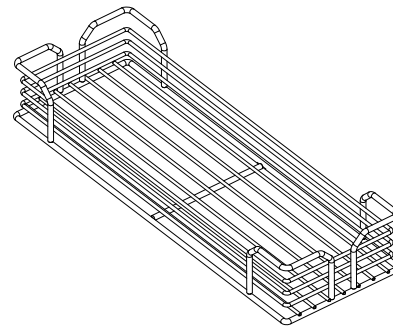
2、Slide



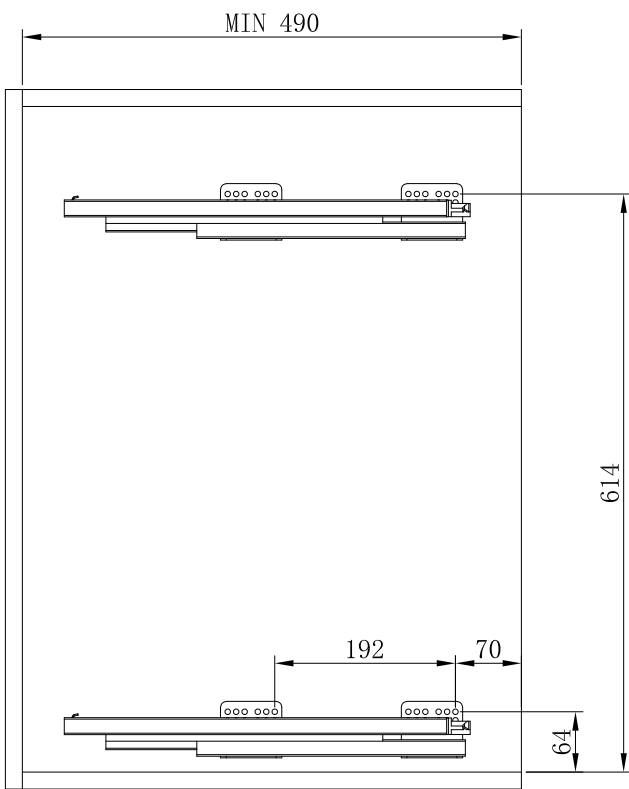
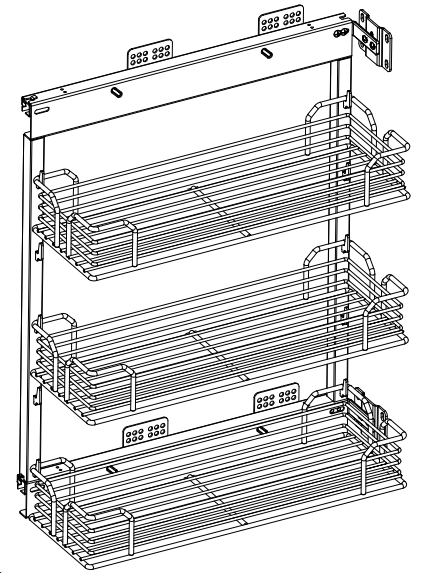
3、Door bracket



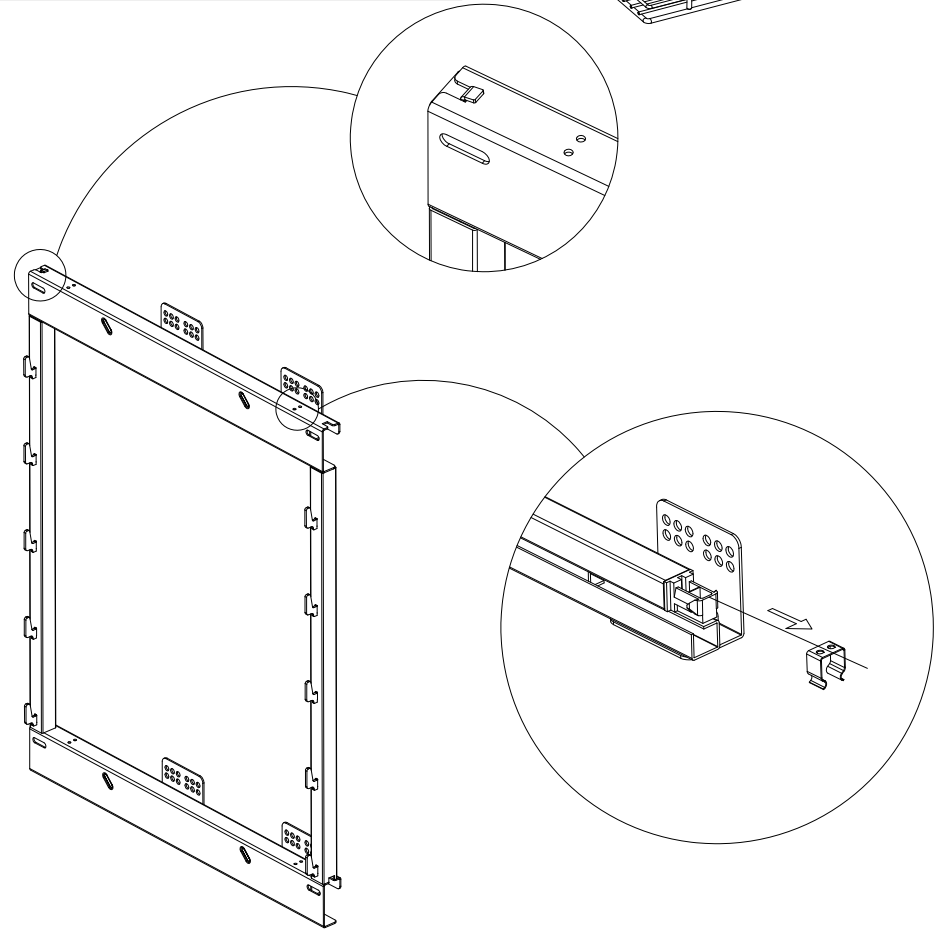
4、Door fixing accessories



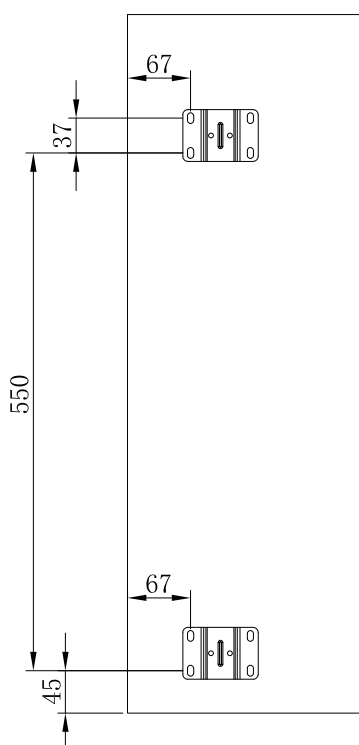
5、Basket 3PCS



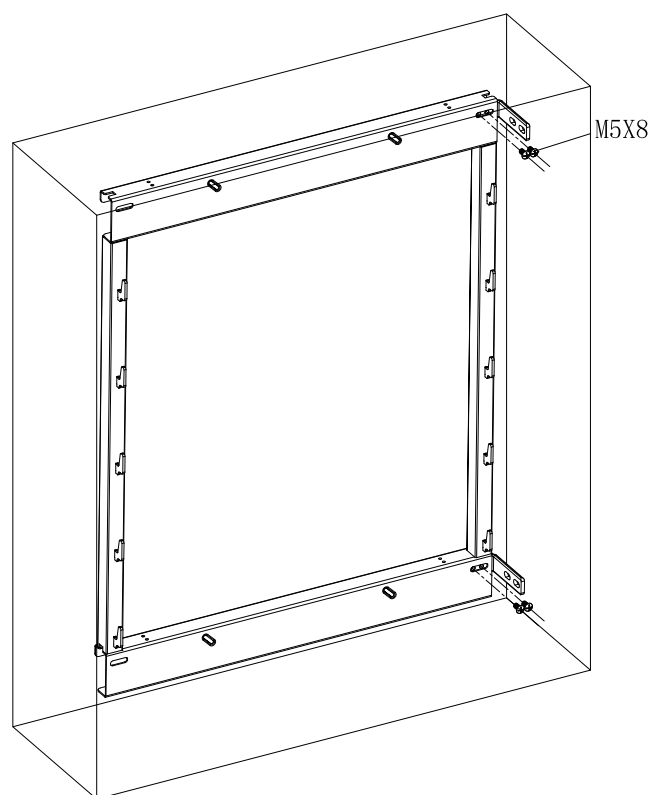
**Step 1:** Two slides should be installed parallelly into the side of cabinet



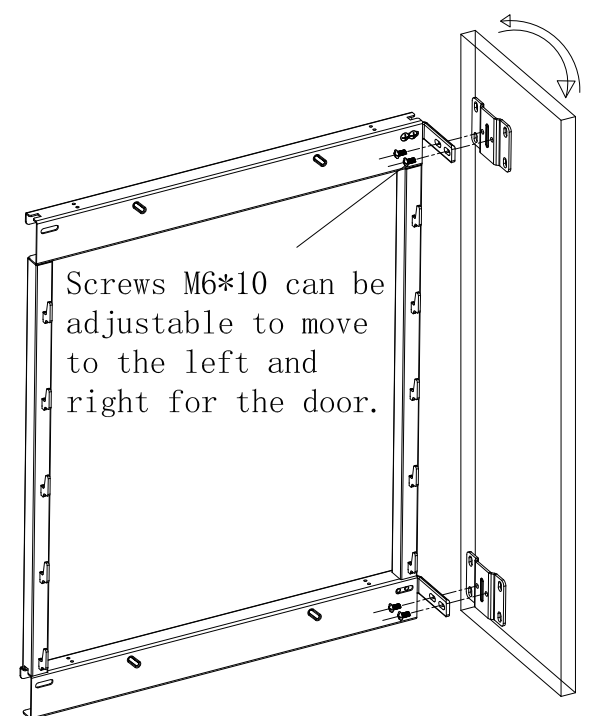
**Step 2:** Pull out the slide, and assemble the frame on the slides, then move the frame with slides to the end till the slide and the framed are locked together.



**Step 3:** Install the door fixing accessories



**Step 4:** Install the door brackets



**Step 5:** Install the door

Screws M6\*10 can be adjustable to move to the left and right for the door.