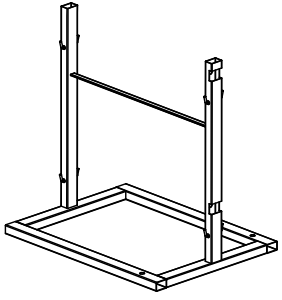


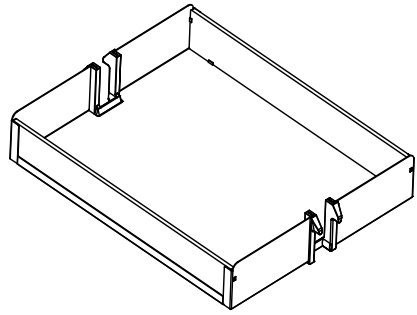
# FIXING ILLUSTRATION

## Accessories:

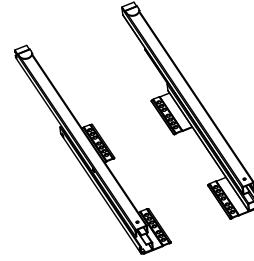
1. Frame (1pc)



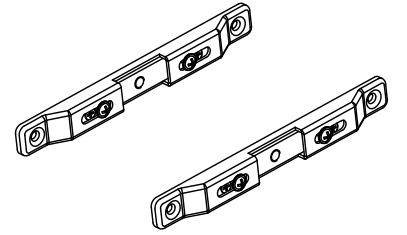
2. Basket (1pcs)



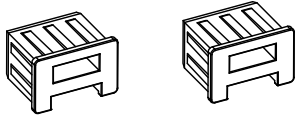
3. Slide (1set)



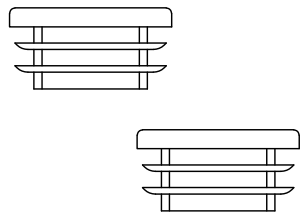
4. Connector (2pcs)



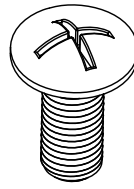
5. 2PCS



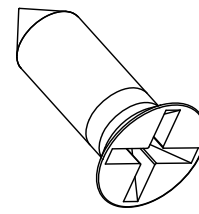
6. Plastic cover (2pcs)



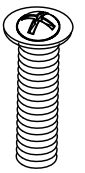
7. M8×20 (2pcs)



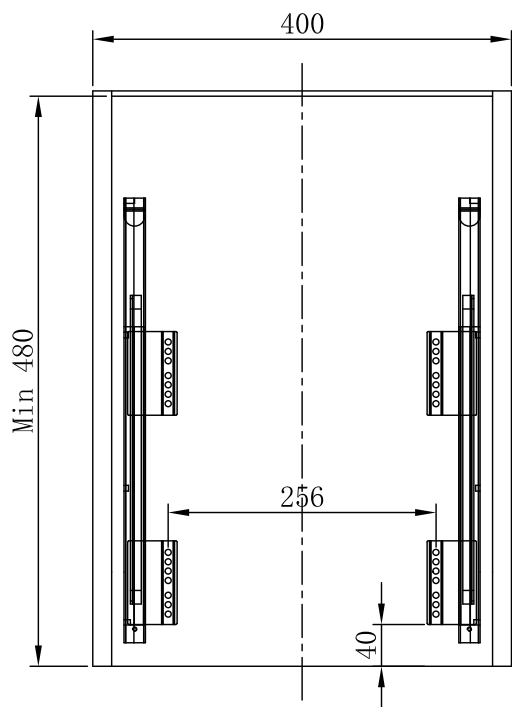
8. ST5×16 (12pcs)



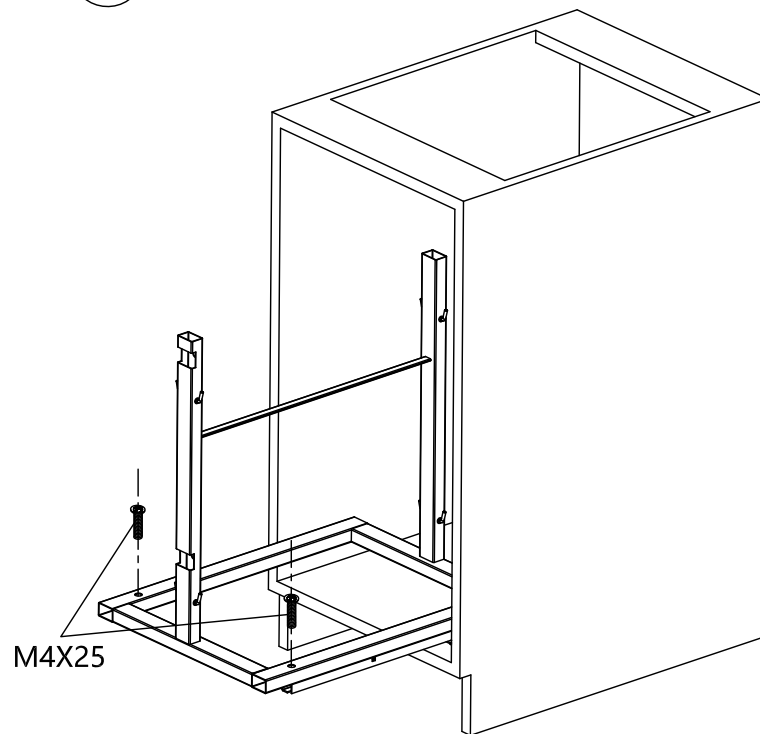
9. M4×25 (2pcs)



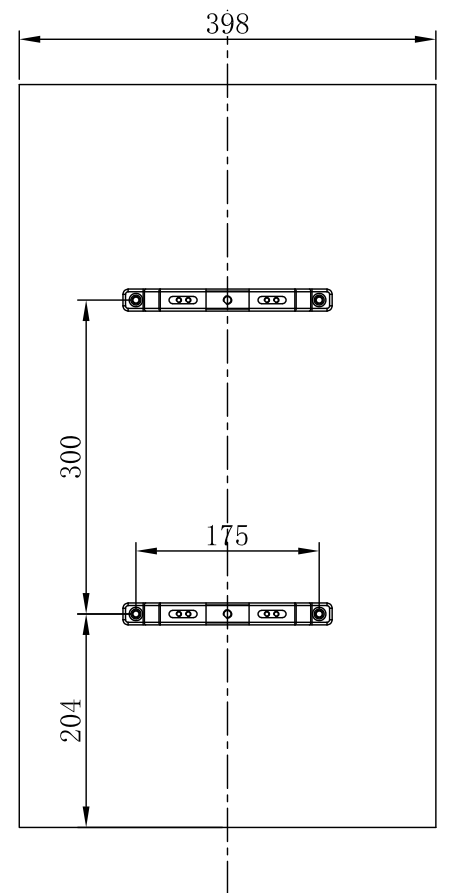
① Install the slides



② Install the Frame



③ Fix the connector on the door



④ Install the door with frame

